

Compression Post Instruction

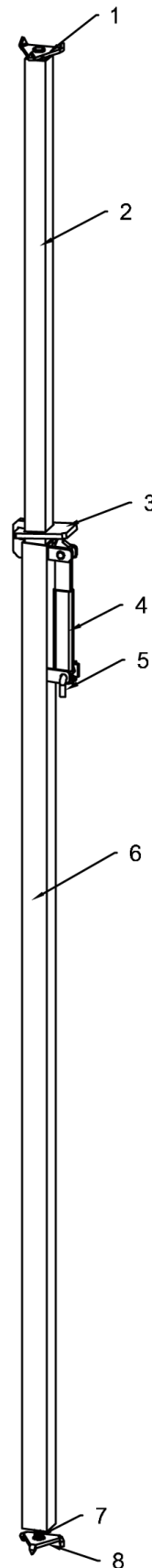
PART	DESCRIPTION
1	Anchor Plate
2	Inner Tube
3	Grab Plate
4	Grab Handle
5	Locking Pin
6	Outer Tube
7	Adjustable Screw
8	Anchor Plate

Code:
APAC102011

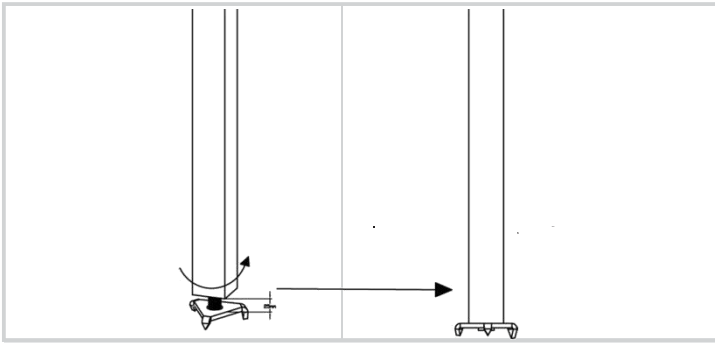
Weight :
12 kg (26.4 lb)

Closed Height:
2.30 m (7'7")

Maximum Height:
3.5 m (11'6")

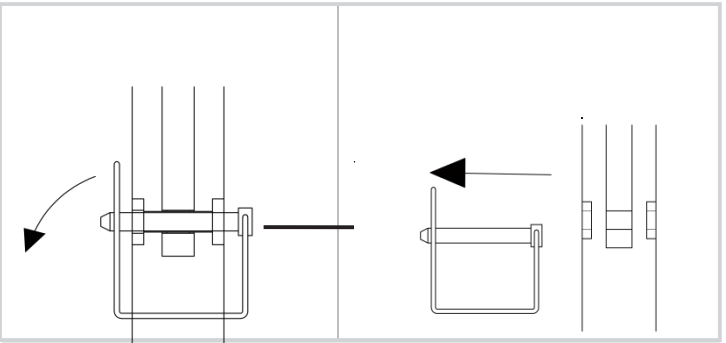


INSTALLATION



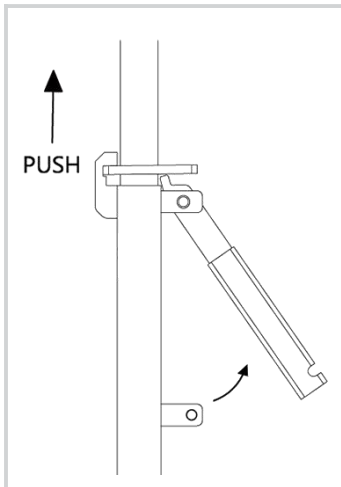
- Ensure bottom foot is fully screwed into the **Compression Post**

1



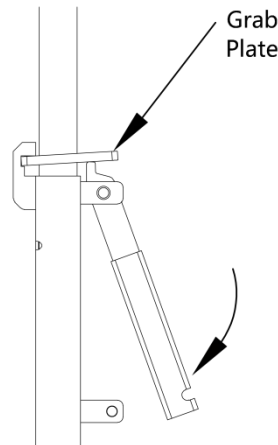
- As the handle is locked, so please set the lock pin to the horizontal position and pull out the lock pin to set the handle free.

2



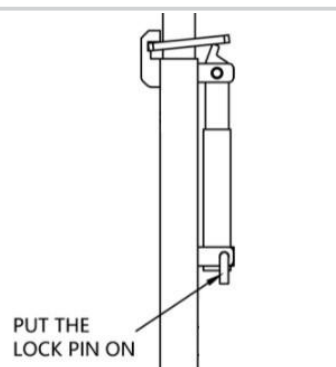
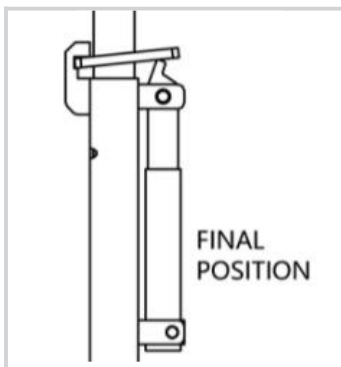
- Slide the adjustment handle up till the ring is at its desired location
- Ensure the compression post is plumb
- Extending the inner tube until the anchor plate is firmly against slab of the floor

3



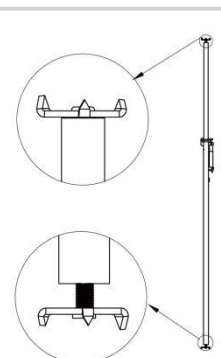
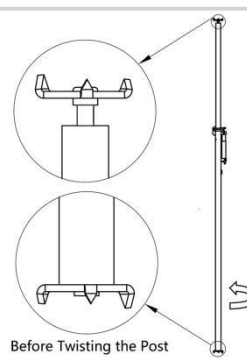
- Slide the adjustment handle down so the ring sits against the outer tube.
- Continue slide the adjustment handle down, to ensure the grab plate locked to the inner tube firmly.

4



- Slide the adjustment handle until it locks into a vertical position
- then put the lock pin in to ensure the handle can not slide up against.
- Before rotating the post, the top foot has an approximately 20mm distance to the top of the inner tube.

5



- Rotate the compression post counter clockwise until the top anchor plate is sit on the top of inner tube.
- Continue rotating the post counter clockwise until it is locked tightly.
- **Compression Post** is ready to have **Safety Fence** and/or temporary guardrail attached .

6