

APAC Safedge Bolt Down edge protection installation guide

1. Concrete Wedge Anchor installation

1) Drill a 20mm holes which is at least 75mm depp and 200mm from the edge side.

2) Clear the hole from drilling residues.

3) Insert the wedge anchor M16 into the pre-drilled hole. You can hammer the anchor to ensure the anchor hits the bottom of the hole. Check as Figure 1

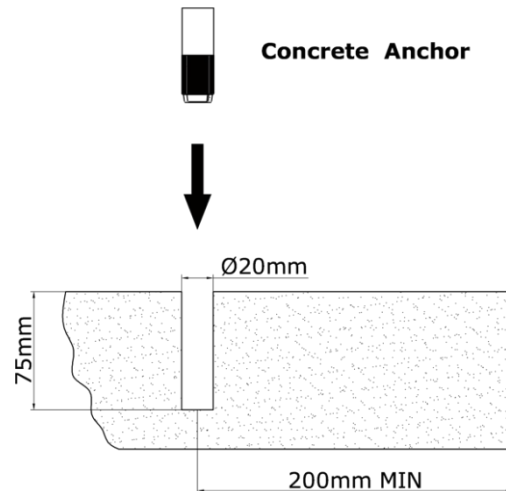


Figure 1

2. Socket Base installation

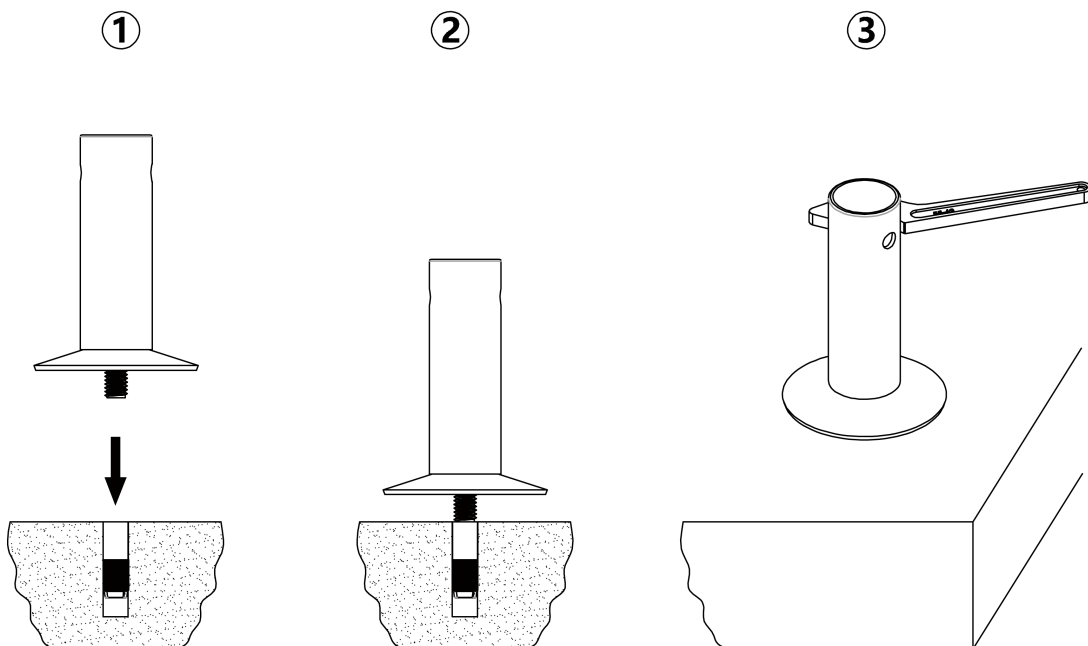


Figure 2

1) Put the socket base vertically into position of the wedge anchor

2) Tighten the M16 Bolt which has already been installed in the socket base on the anchor with hand until it does not move.

3) Tighten the bolt to the anchor with a special spanner supplied by APAC until it does not move anymore. Check as Figure 2

3. Safty Post installation

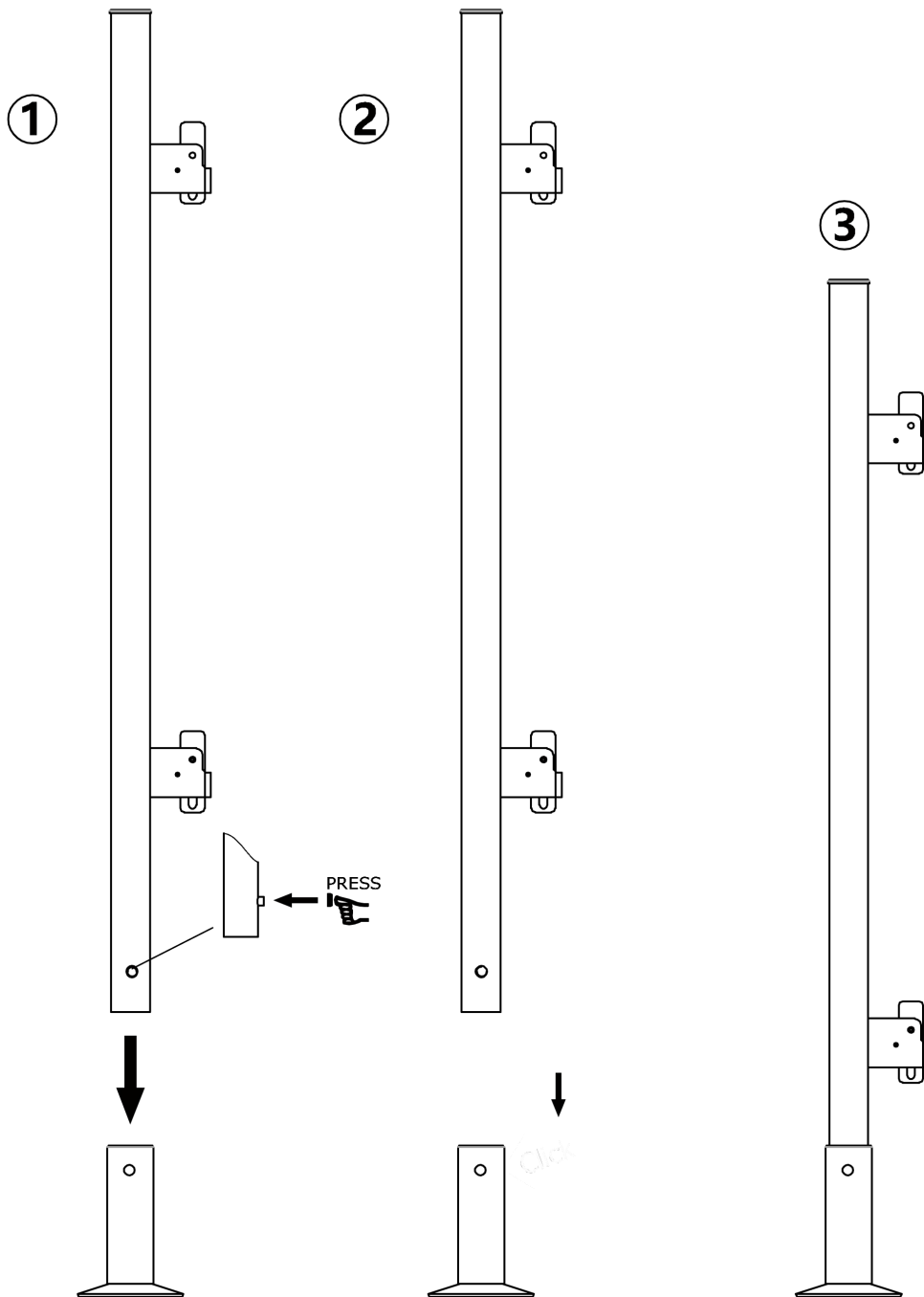


Figure 3

- 1) Press the spring pin which is assembled in the safety post.
- 2) Keep pressing until the safety post has been inserted into the socket base.
- 3) Keep pull down the safety post until the the spring pin in right position and locked the post .

Check as Figure 3

4. Mesh Barrier Installation

- 1) Unlock the latch pin into the horizontal position and set the mesh barrier in a vertical position
- 2) Place the mesh barrier to the latch housing which is welded in the post, then twist the latch pin.
- 3) Continue twisting the latch pin till it be the vertical position to Lock the barrier to the post, Continue twisting other pins untill all latch pins are in vertical postions.

Check as Figure 4

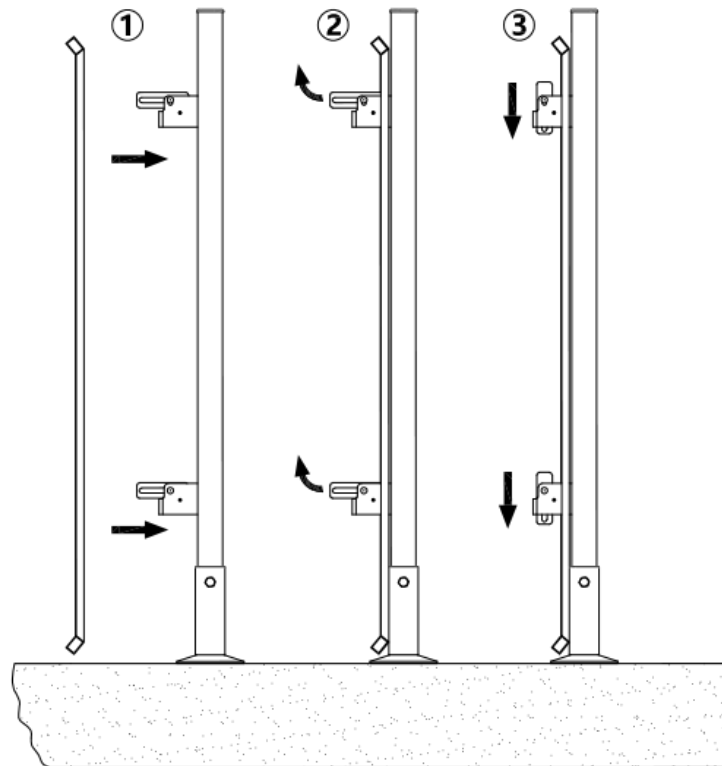


Figure 4

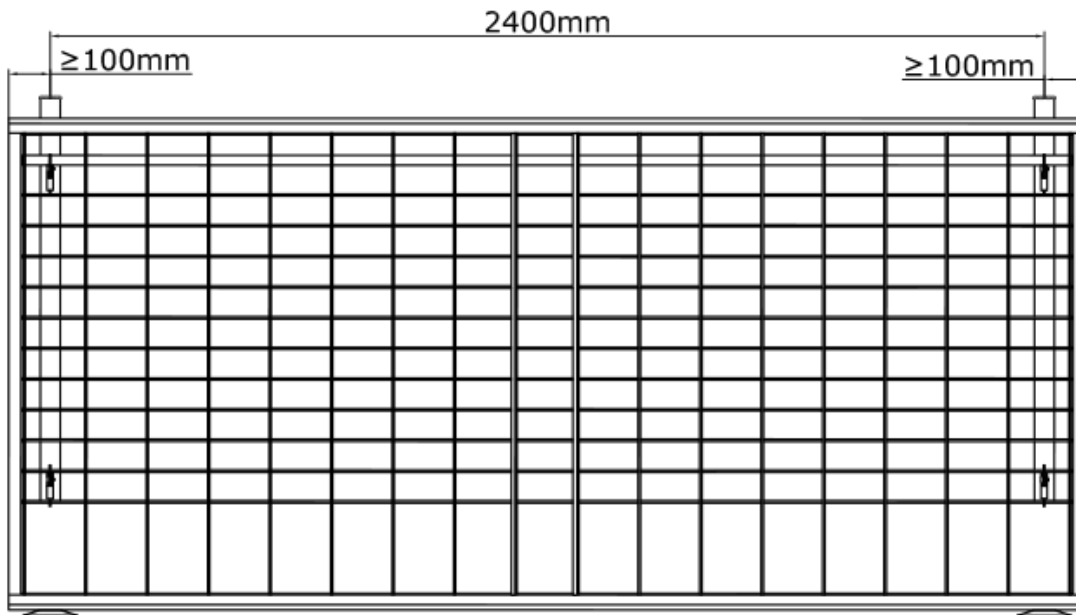


Tips: The barrier shall always be mounted towards the working surface. And the barrier's side with a logotype should face towards the posts.

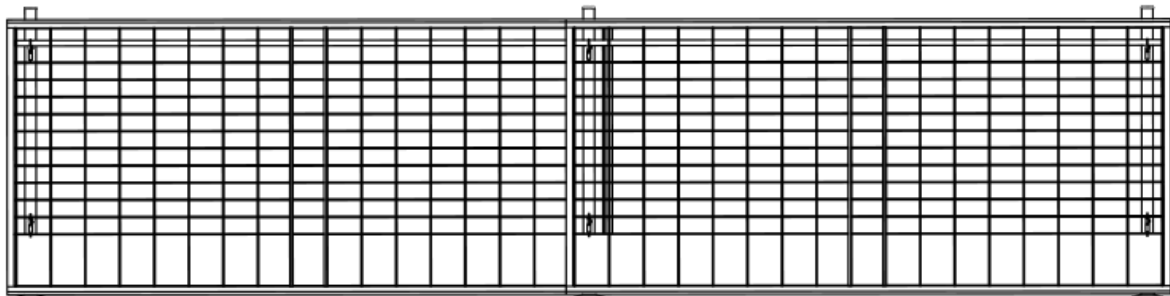
The installation way in Figure 5 is not allowed.

Figure 5

5. The distance between two posts should be a maximum of 2.4 meters.



6. Over two mesh barriers installation, one mesh barrier should overlap to another one and so on till all mesh barriers installed. The overlapping distance normally is 100mm.



APAC Builders Equipment Co.,Ltd



No.2588 WuZhong Ave.,
Wuzhong District,Suzhou, China
Tel: +86 512-667 00084
Fax: +86 512-667 00084
Web: www.apacltd.com
Eamil: info@apacltd.com